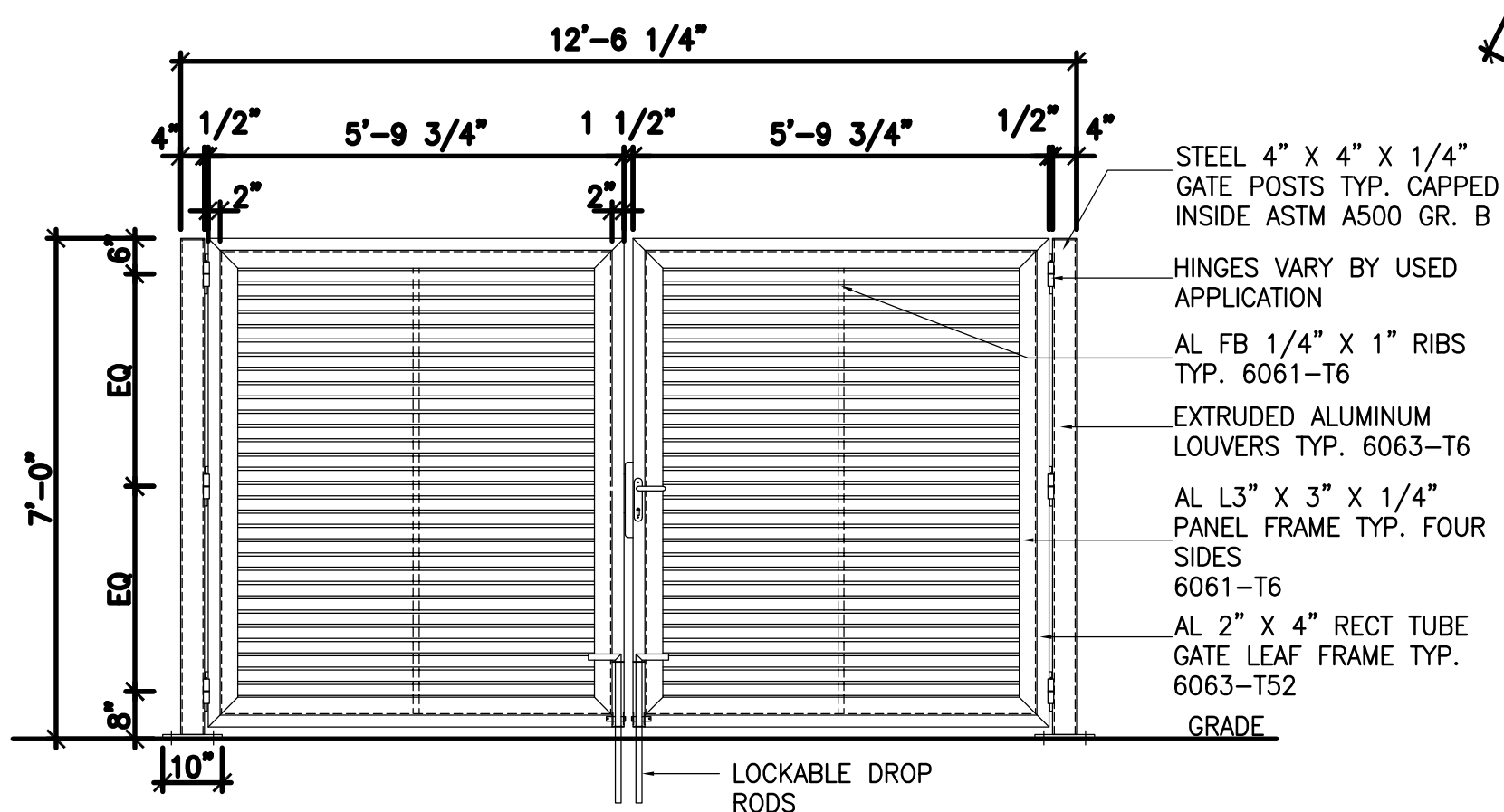
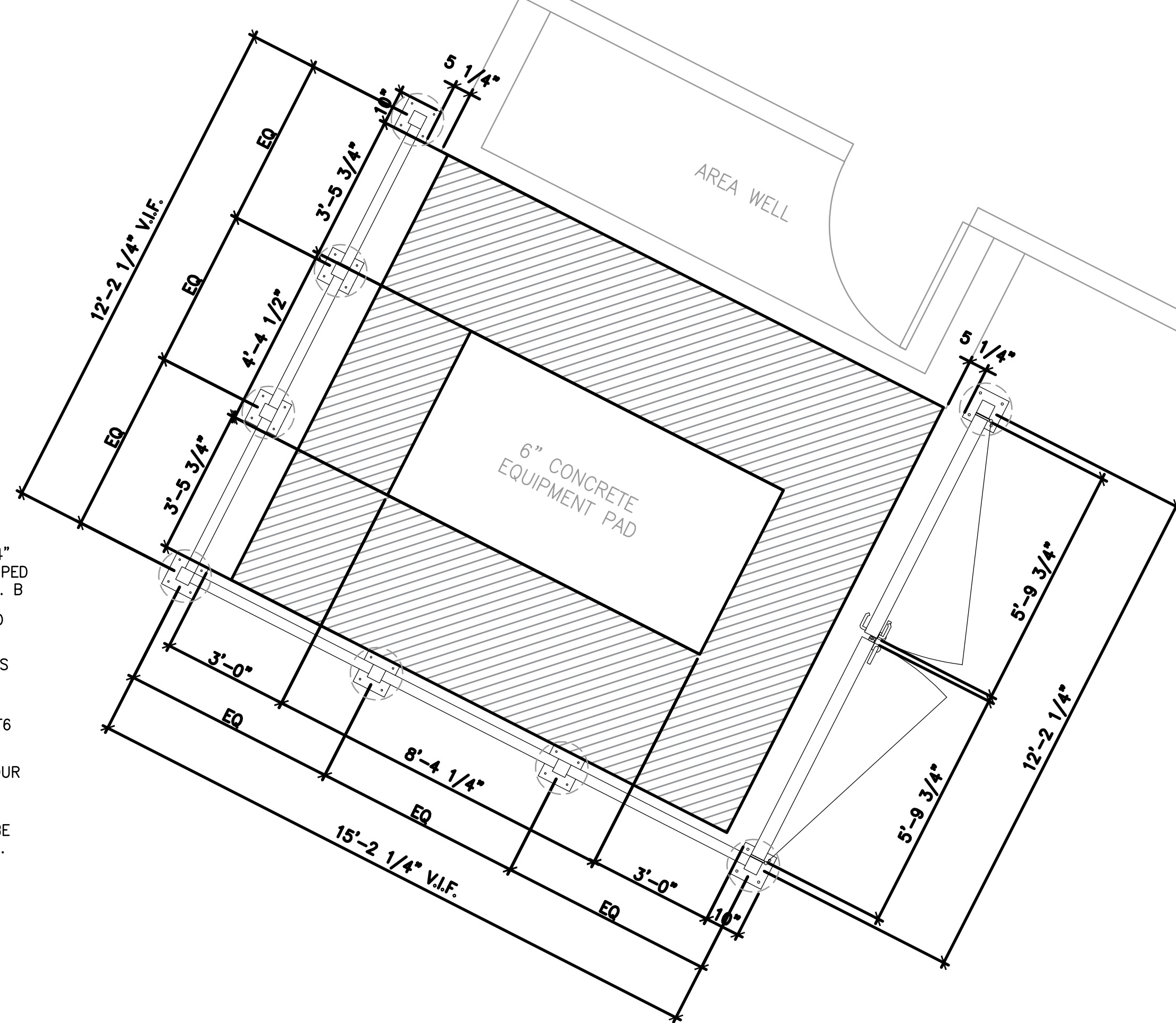


2 LOUVER PANEL & POST DETAIL
SCALE: 1/2" = 1'-0"



3 DOUBLE DRIVE LOUVER GATE DETAIL
SCALE: 1/2" = 1'-0"



1 EQUIPMENT FENCE PLAN
SCALE: 1/2" = 1'-0"

GENERAL

1. FENCE & GATE SYSTEM TO BE PALMSHIELD WITH ATLAS INDUSTRIAL HORIZONTAL LOUVERS.
2. COLOR TO BE SELECTED BY OWNER.

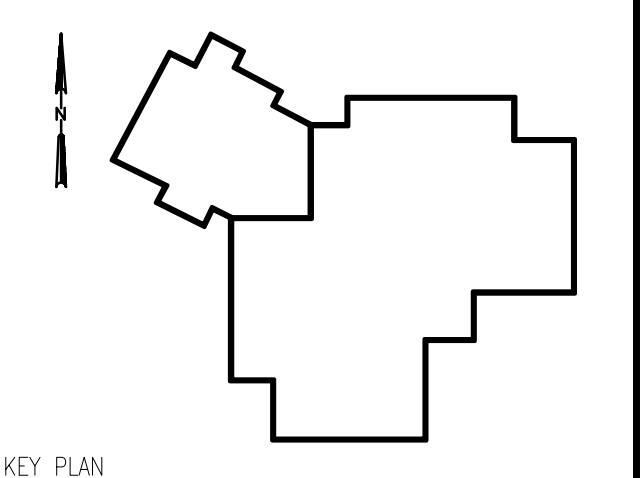


GLOBETROTTERS ENGINEERING CORPORATION ("GEC") RETAINS ALL PROPRIETARY RIGHTS AND COPYRIGHTS, STATUTORY AND COMMON LAW, TO THESE PLANS AND DESIGNS. USE OF THE DRAWINGS OTHER THAN FOR THEIR INTENDED PURPOSE, REPRODUCTION, ALTERATION, OR ASSIGNMENT TO ANY THIRD PARTY SHALL NOT OCCUR WITHOUT EXPRESS WRITTEN CONSENT BY GEC. GEC ASSUMES NO RESPONSIBILITY FOR ANY DRAWING NOT USED IN COMPLIANCE WITH THIS PARAGRAPH.

REVISIONS		
NO.	DATE	DESCRIPTION
1	09/27/23	ISSUED FOR 90X
2	06/07/24	100% CD
3	07/26/24	ADDENDUM 1

I HEREBY CERTIFY THAT THESE PLANS WERE PREPARED UNDER MY DIRECT SUPERVISION AND TO THE BEST OF MY KNOWLEDGE AND BELIEF, CONFORM TO THE CITY OF CHICAGO BUILDING CODES AND ORDINANCES

DRAWN BY:	RRM
DATE DRAFTED:	
CHECKED BY:	YA
APPROVED BY:	CD



LAKE COUNTY PROJECTS

Proj. Title

**LC HEALTH DEPT
MECHANICAL SYSTEMS
REPLACEMENT**

Task Title

**EQUIPMENT FENCE
PLAN**

SHEET NO.
A102